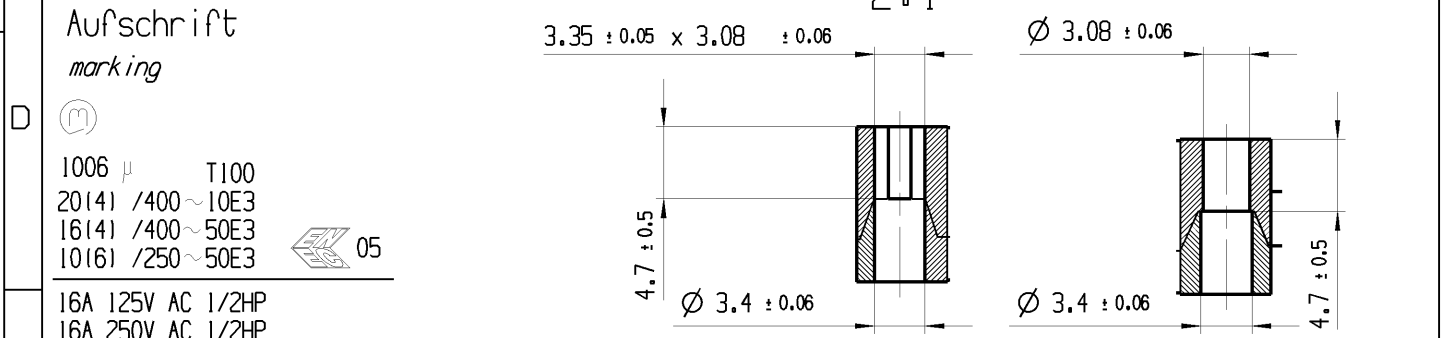
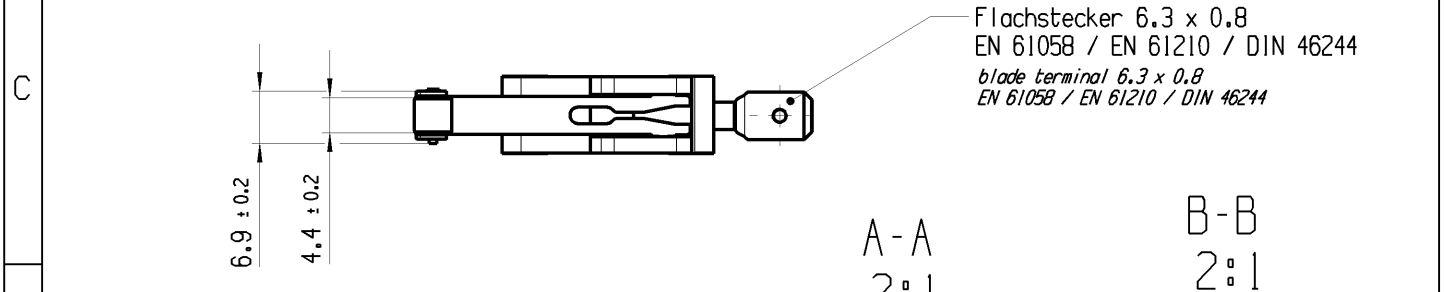
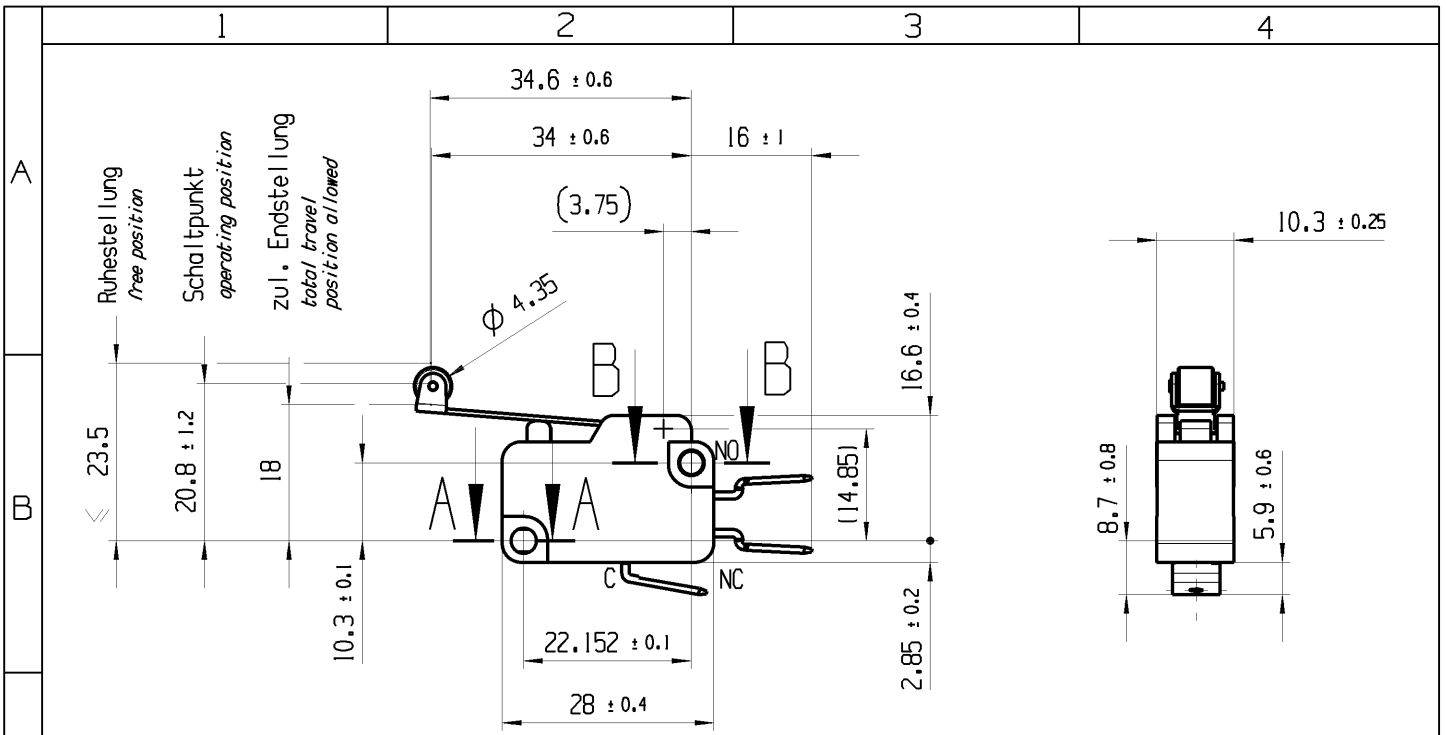


THIS DRAWING IS THE EXCLUSIVE PROPERTY OF MARQUARDT. WITHOUT THEIR CONSENT IT MAY NOT BE REPRODUCED OR GIVEN TO THIRD PARTIES.

CONFIDENTIAL

VERTRAULICH

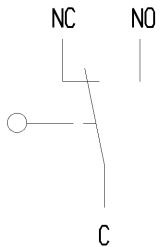
Alle Rechte bei Marquardt, auch fuer den Fall von Schutzrechtsverletzungen. Jede Verfuugungsbefugnis, wie Kopier- und Weitergaberecht, bei uns.



Aufschrift
marking

1006 μ T100
20(14) /400~10E3
16(14) /400~50E3
10(16) /250~50E3

16A 125V AC 1/2HP
16A 250V AC 1/2HP
R109



Wechsler 1-polig
single pole changeover
Schalt-Betaetigungskraft 1.2 bis 2.1 N
actuating force 1.2 up to 2.1 N
Differenzweg ≤ 0.9 mm
movement differential

Herstellort / -jahr / -woche
date code of manufacture:
place / year / week

General tolerances				Sheet 01			Ident.	Document number	Index
All dimensions are in millimetres	Shape and location ⊙ ≡	Angle ± 2°	Edge tolerance 	0-6	± 0.1	± 0.2	K	10061514	d
				>6-15	± 0.15	± 0.3			
				>15-30	± 0.2	± 0.5			
				>30-70	± 0.3				
				>70-120	± 0.4	± 10%			
>120	± 0.8								
d	109072	2017-08-17	TRIGUIK	Format	A4	Projection	1:1	Snap action switch	
c	96972	2015-08-19	JENDOUBIR	System NX V10.0					
b	90078	2014-07-07	BRC	Replacement of Zg.gl.Nr.v.15.01.2002					
a	87270	2013-11-11	BRC						
Index	ECN-No.	Date (YYYY-MM-DD)	Edited by	MARQUARDT					