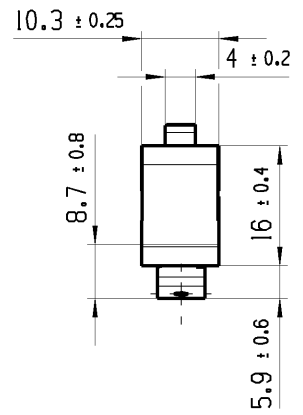
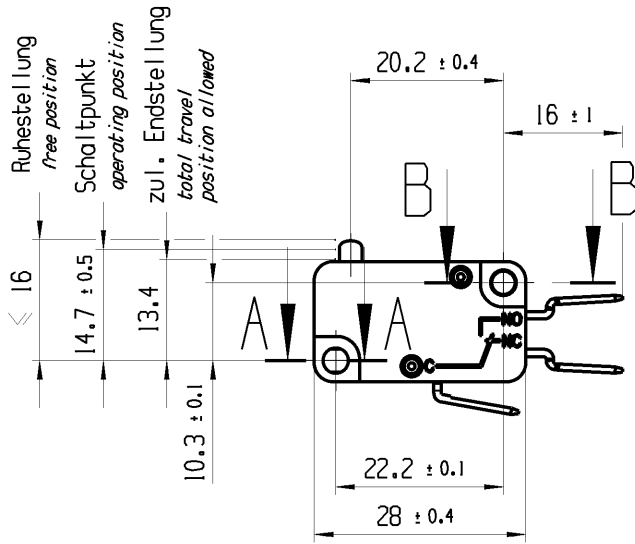


© THIS DRAWING IS THE EXCLUSIVE PROPERTY OF MARQUARDT. WITHOUT THEIR CONSENT IT MAY NOT BE REPRODUCED OR GIVEN TO THIRD PARTIES.

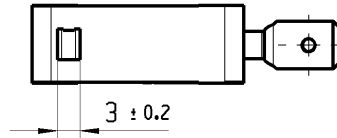
CONFIDENTIAL

VERTRAULICH

© Alle Rechte bei Marquardt, auch fuer den Fall von Schutzrechtsverletzungen. Jede Verfuugungsbefugnis, wie Kopier- und Weitergaberecht, bei uns.



Flachstecker 6.3 x 0.8
EN 61058 / EN 61210 / DIN 46244
blade terminal 6.3 x 0.8
EN 61058 / 61210 / DIN 46244



A-A
2:1

B-B
2:1

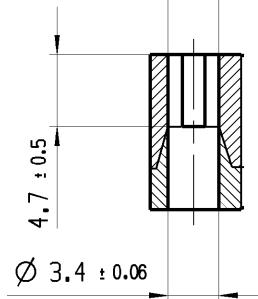
Aufschrift
marking

1005 μ T100
10(14) / 400 ~ 10E3
6(2.5) / 400 ~ 50E3

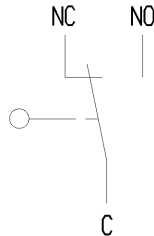
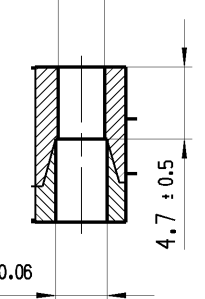
10A 125V AC 1/4HP
10A 250V AC 1/4HP
R44

Herstellort / -jahr / -woche
date code of manufacture:
place / year / week

3.35 ± 0.05 x 3.08 ± 0.06



Ø 3.08 ± 0.06



Wechsler 1-polig
single pole changeover

Schalt-Betaetigungskraft 1.5 bis 2.5 N
actuating force 1.5 up to 2.5 N

Differenzweg ≤ 0.3 mm
movement differential

| General tolerances | | | | Sheet 01 | | | Ident. | Document number | Index | | | |
|-----------------------------------|---------------------------|-------------------|--------------------|----------|--------|-----------------------|----------------|-----------------|---------------|----------|---|-------|
| All dimensions are in millimetres | Shape and location ⊙ ≡ | Angle ± 2° | Edge tolerance | Length | Radii | Format DIN A4 | Projection | Scale 1:1 | K | 10051001 | f | |
| | | | | 0-6 | ± 0.1 | | | | | | | ± 0.2 |
| | | | | >6-15 | ± 0.15 | | | | | | | ± 0.3 |
| | | | | >15-30 | ± 0.2 | | | | | | | ± 0.5 |
| | | | | >30-70 | ± 0.3 | | | | | | | |
| >70-120 | ± 0.4 | ± 10% | | | | | | | | | | |
| >120 | ± 0.8 | | | | | | | | | | | |
| r | 109072 | 2017-08-16 | TRIGUIK | | | System NX V10.0 | | | MARQUARDT | | | |
| e | 83050 | 2014-06-13 | BRC | | | Replacement of | | | | | | |
| d | 28404 | 2000-01-19 | PFU | | | Zg.gl.Nr.v.19.01.2000 | | | | | | |
| c | 20923 | 1991-06-20 | WA | | | | | | | | | |
| Index | ECN-No. | Date (YYYY-MM-DD) | Edited by | | | | | | | | | |